

PA SERIES EMERGENCY LOWERING INSTRUCTIONS

Auxiliary Lowering: Descent - Manual Override

For manually lowering the scissors in the case of power failure, a manual valve on the pump is provided. To lower the scissors, pull the cable located at the rear of the machine.

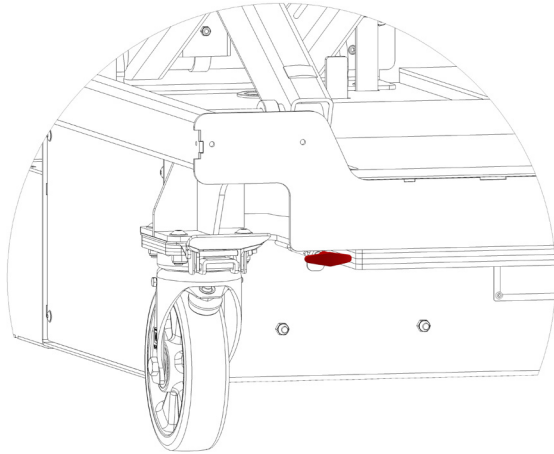


FIGURE 1: Auxiliary Lowering

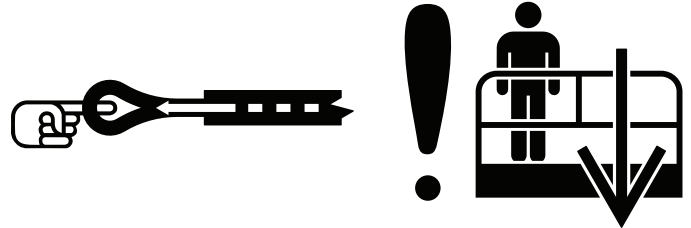


FIGURE 2: Lowering Instructions

WARNING

IF PLATFORM SHOULD FAIL TO LOWER, DO NOT ATTEMPT TO CLIMB DOWN THE BEAM ASSEMBLY. SERIOUS INJURY MAY RESULT. HAVE AN EXPERIENCED OPERATOR USE THE EMERGENCY LOWERING PROCEDURE TO SAFELY LOWER THE PLATFORM.

Emergency Stop

This lift is equipped with two emergency stop switches, one at the platform control and one at the base control, that when activated, will render the unit inoperable until reset. To reset, pull the button out. (See the "Operating Controls & Indicators" section of this handbook for more detail.)

WARNING

PUSHING THE EMERGENCY STOP MAY CAUSE UNEXPECTED PLATFORM MOVEMENT AS THE MACHINE COMES TO A SUDDEN STOP. BRACE YOURSELF AND SECURE OBJECTS ON THE PLATFORM DURING OPERATION OF THE MACHINE.