

HY-BRID LIFTS™

BY CUSTOM EQUIPMENT LLC

PARTS MANUAL

SELF-PROPELLED AERIAL WORK PLATFORM

SUPO-686A

REV A



HB-830

SERIES 2.5/3R

Model #'s HB-830
Serial Number Ranges:
D03-20004

TABLE OF CONTENTS

NOTES.....	2
SERIAL NUMBER REFERENCE.....	3
TABLE OF CONTENTS.....	4
INDEX OF FIGURES.....	5
SECTION 1 BASE.....	6
1.1 POTHOLE GUARD PARTS.....	6
1.2 CASTER PARTS.....	7
1.3 CASTER SUBPARTS.....	8
1.4 REAR WHEEL SUBPARTS.....	9
1.5 DRIVE PARTS.....	10
1.6 DRIVE SUBPARTS.....	11
1.7 BRAKE SUBPARTS.....	12
1.8 PUMP PARTS.....	13
1.9 PUMP SUBPARTS.....	14
1.10 MISCELLANEOUS PARTS.....	16
SECTION 2 CONTROLS.....	18
2.1 ELECTRICAL PARTS.....	18
2.2 UPPER CONTROL PARTS.....	20
2.3 LOWER CONTROL PARTS.....	21
2.4 MAIN CABLE SUBPARTS.....	22
2.5 SELECTOR SWITCH SUBPARTS.....	23
2.6 E-STOP SWITCH SUBPARTS.....	23
2.7 MASTER POWER SWITCH SUBPARTS.....	24
2.8 KEY SWITCH SUBPARTS.....	24
SECTION 3 SCISSORS.....	26
3.1 SCISSORS PARTS.....	26
3.2 CYLINDER SUBPARTS.....	28
SECTION 4 PLATFORM & RAILS.....	30
SECTION 5 DECALS.....	32
SECTION 6 OPTIONS & MISCELLANEOUS.....	34

INDEX OF FIGURES

FIGURE 1: Pothole Guard Parts.....	6
FIGURE 2: Caster Parts.....	7
FIGURE 3: Caster Subparts.....	8
FIGURE 4: Rear Wheel Subparts.....	9
FIGURE 5: Drive Parts.....	10
FIGURE 6: Drive Subparts.....	11
FIGURE 7: Brake Subparts.....	12
FIGURE 8: Pump Parts.....	13
FIGURE 9: Pump Subparts.....	14
FIGURE 10: Miscellaneous Parts.....	16
FIGURE 11: Electrical Parts.....	18
FIGURE 12: Upper Control Parts.....	20
FIGURE 13: Lower Control Parts.....	21
FIGURE 14: Main Cable Subparts.....	22
FIGURE 15: Selector Switch Subparts.....	23
FIGURE 16: E-Stop Switch Subparts.....	23
FIGURE 17: Master Power Switch Subparts.....	24
FIGURE 18: Key Switch Subparts.....	24
FIGURE 19: Scissors Parts.....	26
FIGURE 20: Cylinder Subparts.....	28
FIGURE 21: Platform & Rails.....	30
FIGURE 22: Decals.....	32
FIGURE 23: Options & Miscellaneous.....	34

1.1 | POTHOLE GUARD PARTS

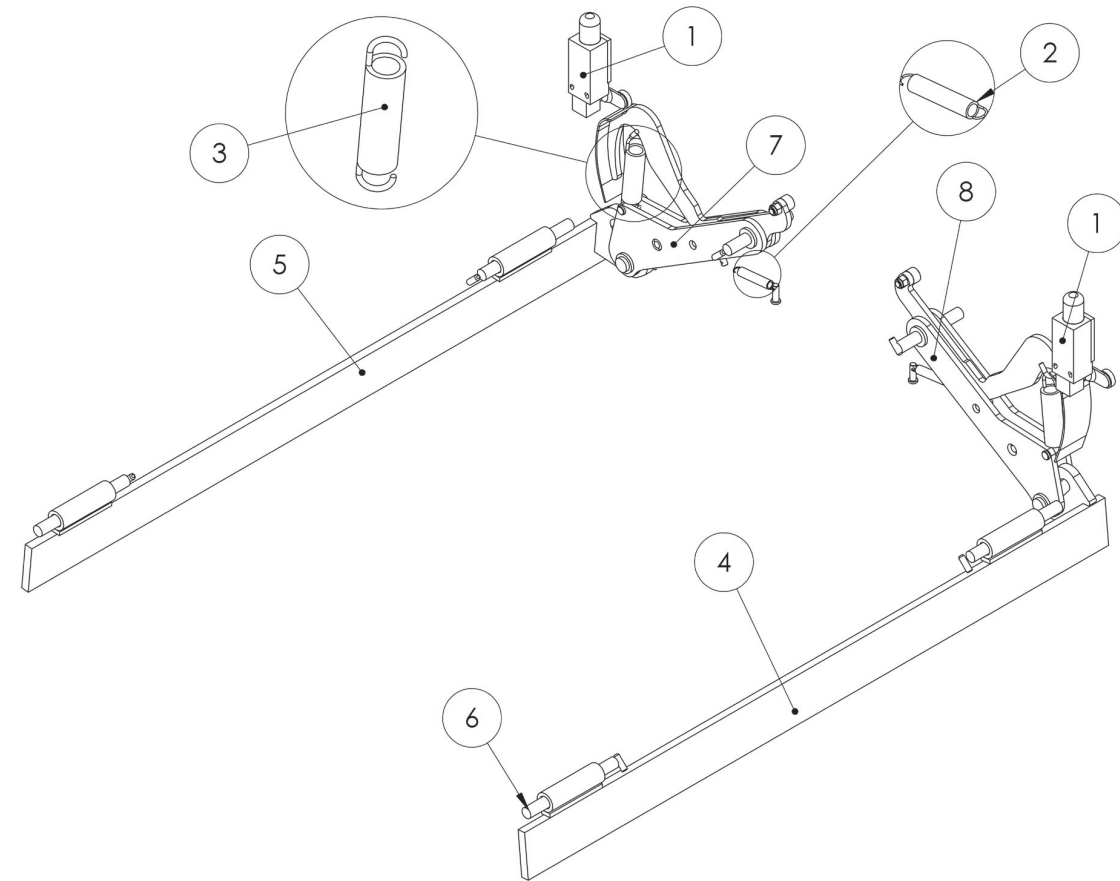


FIGURE 1: Pothole Guard Parts

Item #	Part Number	Part Description	Notes	Qty	Superseded By
1	ELEC-123-5	SWITCH,LIMIT,ROT LVR,NO/NC PO		2	
2	HARD-696	SPRING,EXT 2.25 X 0.38		2	
3	HARD-804	SPRING, EXT 4.0 X .81		2	
4	129-01-254-01	BASE,PH BAR L (HBMD)		1	
5	129-01-255-01	BASE,PH BAR R (HBMD)		1	
6	RND-HB-002-P	PIN,HINGE,0.50,5.0		4	
7	129-21-202-14-K	ASM,BASE PH ARM R	Superseded;	1	129-21-263-14-K
7	129-21-263-14-K	ASM,BASE PH ARM R		1	
8	129-21-202-09-K	ASM,BASE PH ARM L	Superseded;	1	129-21-263-09-K
8	129-21-263-09-K	ASM,BASE PH ARM L		1	

1.2 | CASTER PARTS

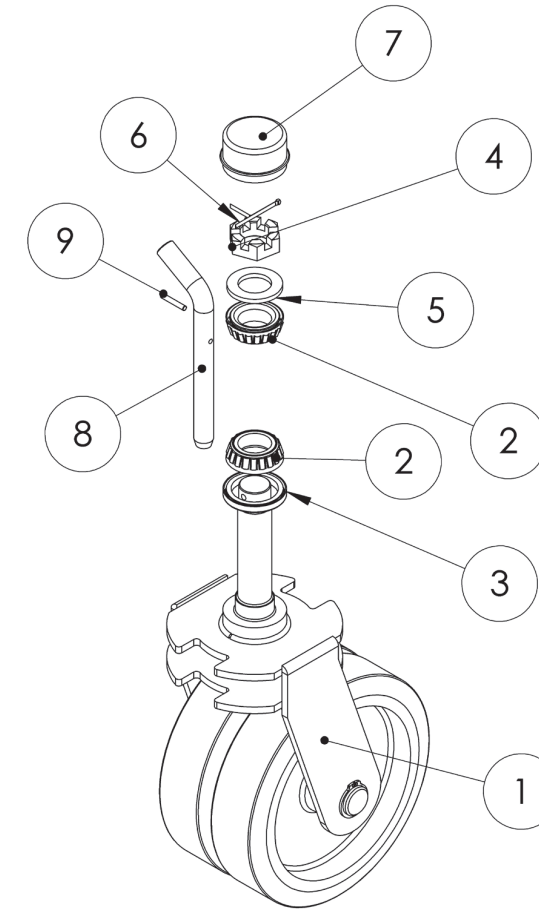


FIGURE 2: Caster Parts

Item #	Part Number	Part Description	Notes	Qty	Superseded By
1	129-21-215-50-K	ASM,CASTER		1	
2	WHEE-718	BEARING		2	
3	WHEE-717	SEAL		1	
4	WHEE-719	1-14 HEX SLOTTED AXLE NUT		1	
5	WHEE-716	WASHER,1.06IDX1.75ODX.155THK		1	
6	HARD-725	COTTER PIN, 3/16 X 2		1	
7	WHEE-714-100	HUB,COVER		1	
8	129-01-101-05	HITCH PIN,5/8 X 5		2	
9	129-01-102-03	COILED SPRING PIN, 5/32,1 L		2	

1.3 | CASTER SUBPARTS

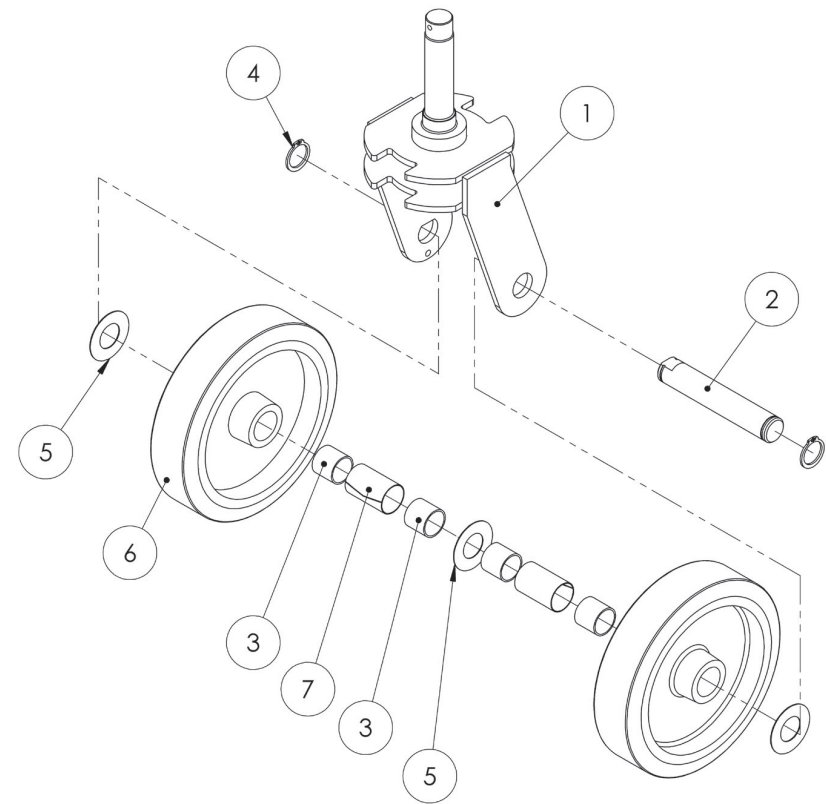


FIGURE 3: Caster Subparts

Item #	Part Number	Part Description	Notes	Qty	Superseded By
1	129-01-260-01	BASE,CASTER WLDMNT		1	
2	129-06-023-02	BASE,CASTER PIN		1	
3	HARD-001-2	DU BEARING,1.0 ID X 1.0 L		4	
4	HARD-021	RET RING 1.0		2	
5	WHEE-609-SS	WASHER, 1.015ID,2OD,.03 THK SS		3	
6	WHEE-706-KIT	WHL,8X2,GREY NM RUBBER		2	
7	WHEE-708	WHL, RACEWAY SPLIT 2.0		2	

1.4 | REAR WHEEL SUBPARTS

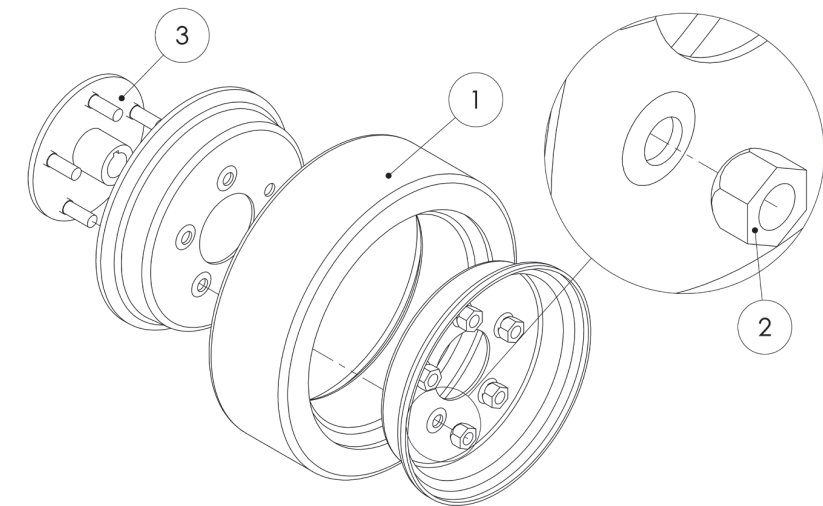


FIGURE 4: Rear Wheel Subparts

Item #	Part Number	Part Description	Notes	Qty	Superseded By
1	WHEE-617	WHL,12X4,NM RUBBER		1	
2	WHEE-721	WHL,LUG NUT 1/2-20		5	
3	WHEE-730-02	HUB,KEYWAY 1.0,2.0		1	

1.5 | DRIVE PARTS

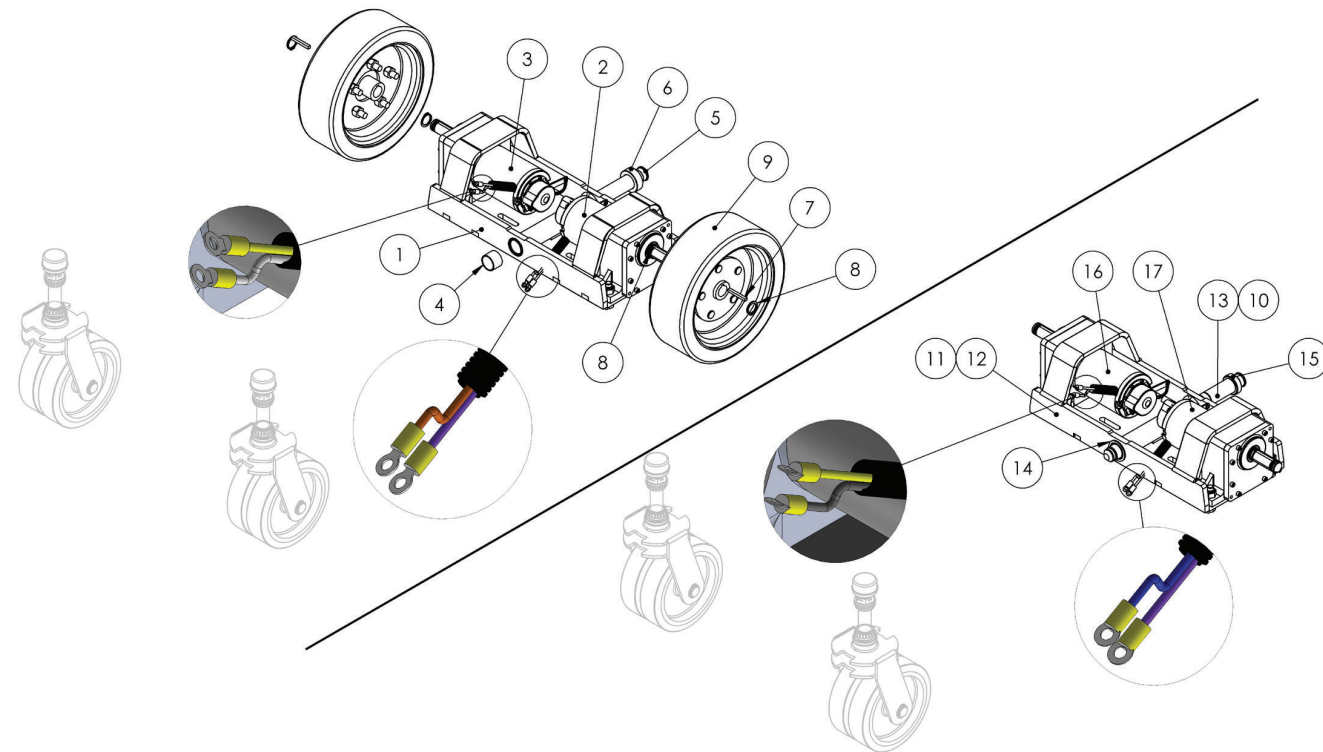


FIGURE 5: Drive Parts

Item #	Part Number	Part Description	Notes	Qty	Superseded By
2	ELEC-758-L-KIT	DRIVE MOTOR,24V ELEC,HB,DUM,L,HT	D03-29000-D03-29099; ORANGE/VIOLET LEADS	1	
3	ELEC-759-R-KIT	DRIVE MOTOR,24V ELEC,HB,DUM,R,HT	D03-29000-D03-29099; WHT-YEL/YEL LEADS	1	
4	HARD-001	DU BEARING, 1.25 ID, 1 LENGTH		2	
7	HARD-157	KEY,0.25 X 0.25 X 2		2	
8	HARD-021	RET RING 1.0		4	
9	WHEE-618-KIT	WHL,12X4 NM RUBBER W/HUB		2	
12	129-01-372-02	BASE,REAR PIVOT W/LDMNT		1	
13	129-06-202-02	PIN,DRIVE MNT,1.25,14.06		1	
16	ELEC-626-5A-KIT	DRIVE MOTOR,24V ELEC,HB,DUM,R	D03-20004-D03-20004; GREY/YEL LEADS	1	
17	ELEC-626-5B-KIT	DRIVE MOTOR,24V ELEC,HB,DUM,L	D03-20004-D03-20004; BLUE/VIOLET LEADS	1	

1.6 | DRIVE SUBPARTS

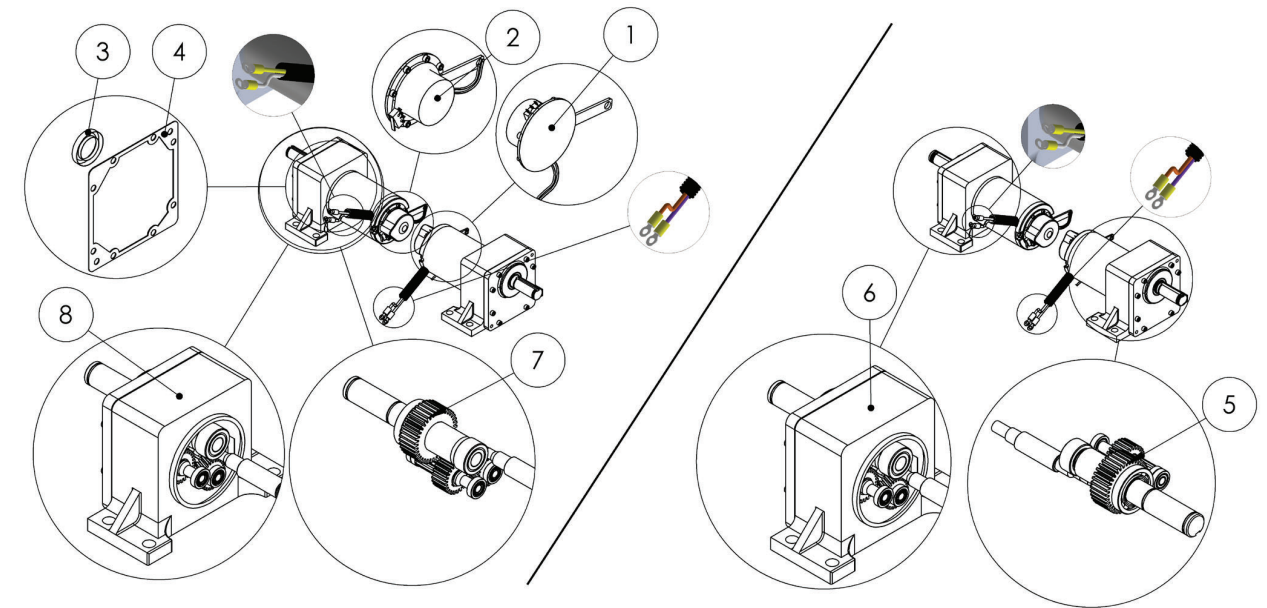


FIGURE 6: Drive Subparts

Item #	Part Number	Part Description	Notes	Qty	Superseded By
1	ELEC-627-5R	DRIVE MOTOR BRAKE R,HB,DUM	DUMORE: HOUSING ALL SILVER, LEFT BRAKE ON HB-1230	1	
2	ELEC-627-5L	DRIVE MOTOR BRAKE L,HB,DUM	DUMORE: HOUSING ALL SILVER, RIGHT BRAKE ON HB-1230	1	
3	ELEC-626-4A	DRIVE MOTOR SHAFT SEAL,DUM	DUMORE: HOUSING ALL SILVER	1	
4	ELEC-626-4B	DRIVE MOTOR HOUSING GASKET,DUM	DUMORE: HOUSING ALL SILVER	1	
5	ELEC-626-4G	DRIVE MOTOR GEARS,HB,DUM	D03-20004-D03-20004; DUMORE: HOUSING ALL SILVER	1	
6	ELEC-626-4C	DRIVE MOTOR GEARBOX,DUM	D03-20004-D03-20004; DUMORE: HOUSING ALL SILVER	1	
7	ELEC-760-G	DRIVE MOTOR GEARS,HB,DUM	D03-29000-D03-29099; DUMORE: HOUSING ALL SILVER	1	
8	ELEC-760-C	DRIVE MOTOR GEARBOX,DUM HT	D03-29000-D03-29099; DUMORE: HOUSING ALL SILVER	1	

1.7 | BRAKE SUBPARTS

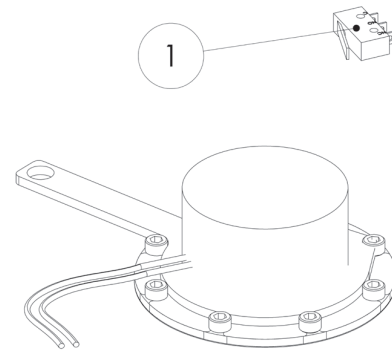


FIGURE 7: Brake Subparts

Item #	Part Number	Part Description	Notes	Qty	Superseded By
1	ELEC-126-7-KIT	SWITCH,LIMIT,STRAIGHT LVR MICR	DUMORE: HOUSING ALL SILVER	1	

1.8 | PUMP PARTS

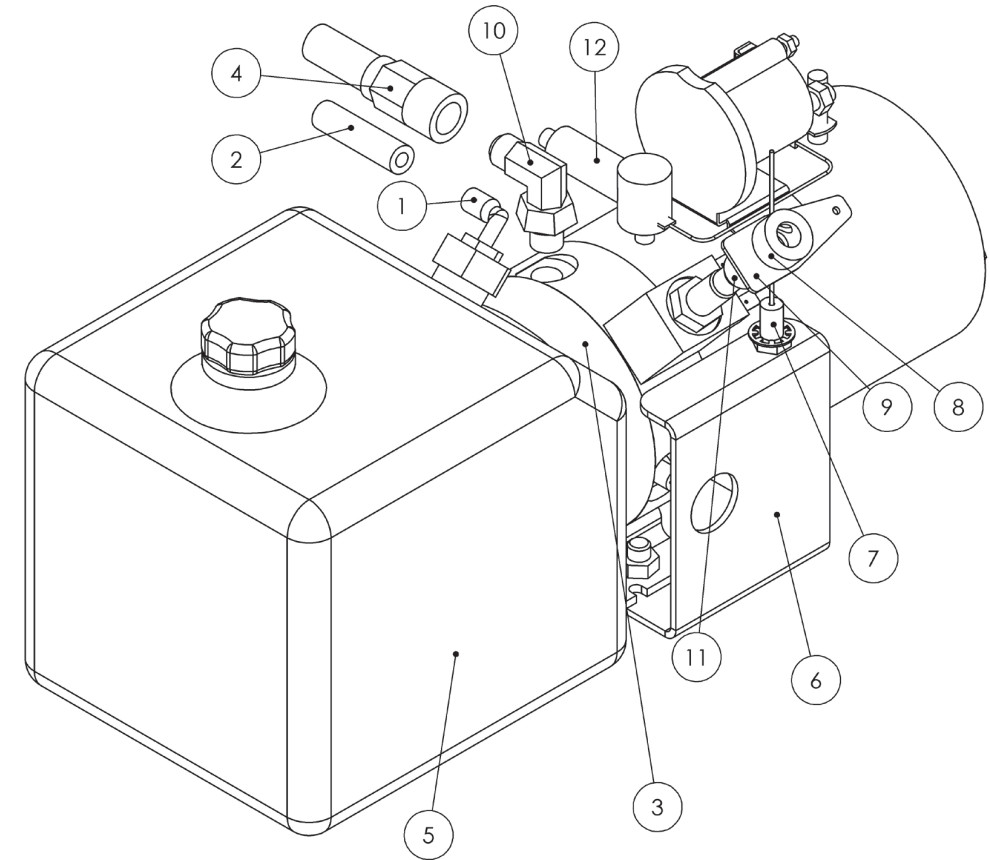
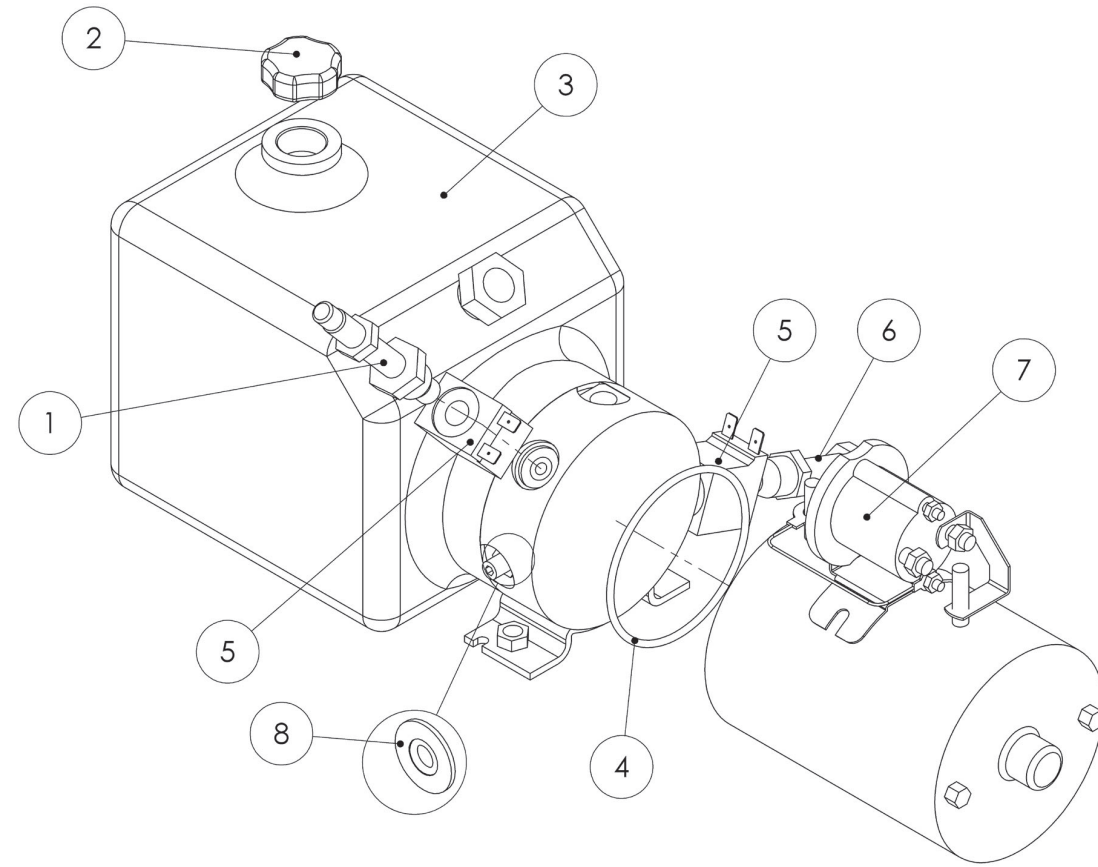


FIGURE 8: Pump Parts

Item #	Part Number	Part Description	Notes	Qty	Superseded By
1	HYDR-019	FITTING,ELB,NPTM 3/8-1/4 PUSH		1	
2	HYDR-022-3	LOW PRESSURE HOSE	Quantity in inches	102	
3	HYDR-050-9	PUMP,24VDC,0.125,0.88,1.75		1	
4	HYDR-600	HOSE ASM,HB-2X		1	
5	HYDR-032	HYDRAULIC OIL	Not available as a replacement part. Replace with Flomite #150, Dexron II, Mobil-DTE 2 or equivalent 32 weight implement oil.	0	
6	129-01-104-01	BASE,E-DOWN BRKT		1	
7	HARD-644-04	LOW FRICTION CABLE, 43/52		1	
8	HARD-650	0.44X0.88X0.44 SHAFT COLLAR		1	
9	LAS-M115	SCISSOR,PLATE E-DOWN ACT		1	
10	HYDR-677	FITNG,ELB,JICM 9/16-SAEORM #6		1	
11	HARD-621	038X0.63X075 SLEEVE BEARING		1	
12	ELEC-634D	TERMINAL BOOT (BLACK)		1	

1.9 | PUMP SUBPARTS



THIS PAGE WAS INTENTIONALLY LEFT BLANK

FIGURE 9: Pump Subparts

Item #	Part Number	Part Description	Notes	Qty	Superseded By
1	HYDR-007-2E-5	VALVE,NC,2W/2P,#8,DWN,PULL,DEL		1	
2	HYDR-042	PUMP RESERVOIR CAP		1	
3	HYDR-067-3	PUMP RESERVOIR,0.88 GAL		1	
4	HYDR-068	PUMP RESERVOIR O-RING		1	
5	HYDR-664	COIL,18V		2	
6	HYDR-665	VALVE,NO,2W/2P,#8,UP		1	
7	HYDR-666-1	SOLENOID,24V,ISOLATED,SPST		1	
8	HYDR-667	WASH,0.38 ID,0.75 OD,PRES SEAL		1	

1.10 | MISCELLANEOUS BASE PARTS

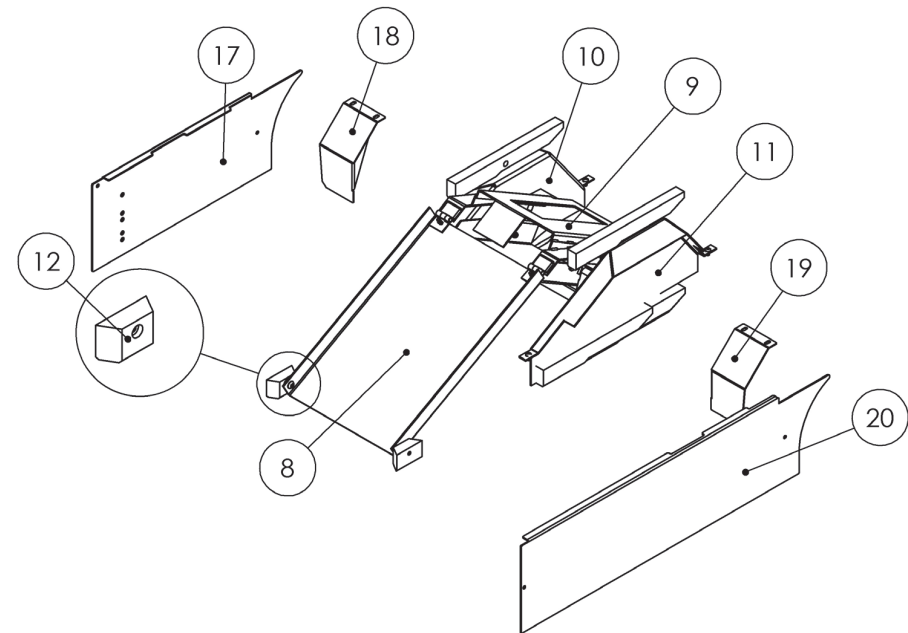
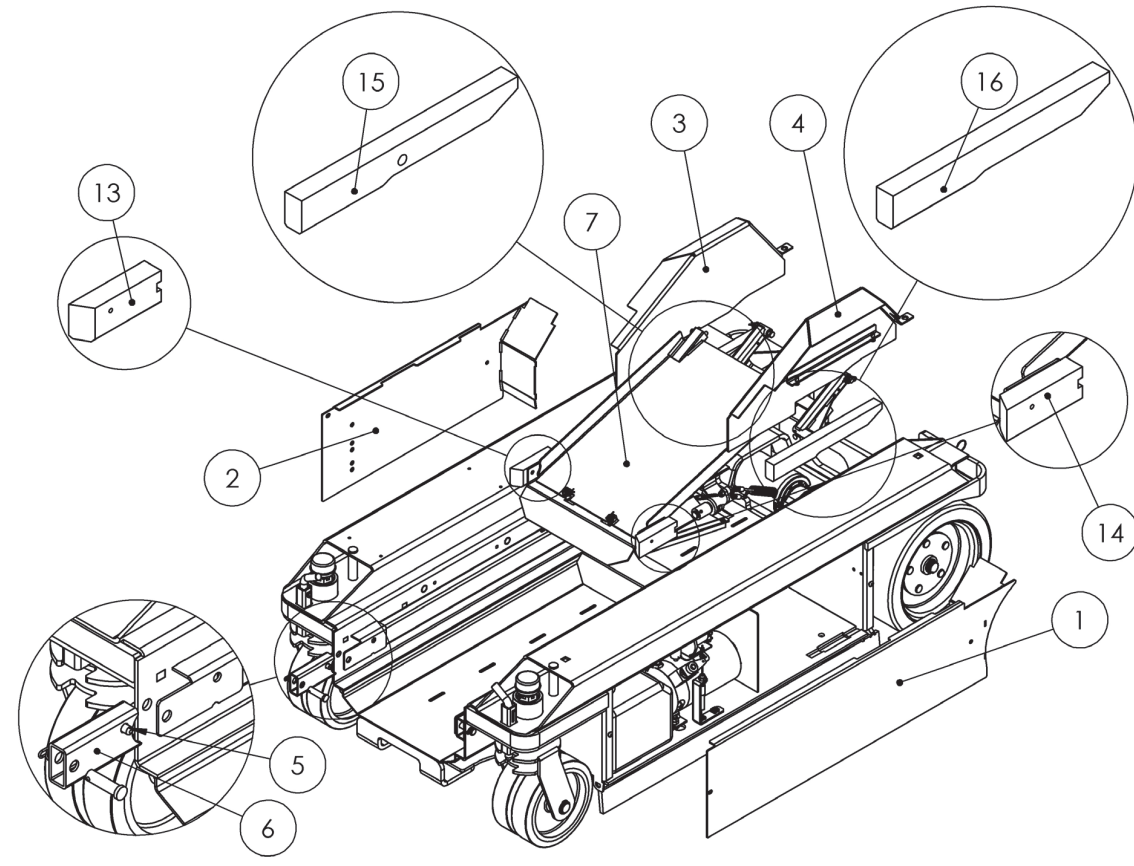


FIGURE 10: Miscellaneous Base Parts

Item #	Part Number	Part Description	Notes	Qty	Superseded By
1	129-05-211-01	BASE,COVER WLDMNT L		1	
2	129-05-210-01	BASE,COVER WLDMNT R		1	
5	HARD-067	SNAP BUTTON,0.38 SINGLE END		2	
6	129-01-232-02	BASE,SCISSORS LOCK		2	
8	129-21-239-50-K	ASM,BASE MID-COVER		1	
9	129-21-243-50-K	ASM, CLAMSHELL		1	
10	129-01-321-06	BASE,COVER REAR SIDE		1	
11	129-01-321-11	BASE,COVER REAR SIDE		1	
12	129-01-327-05	BASE,BLOCK GUIDE		2	
15	129-01-316-09	BASE, LOCK, PIVOT REAR	Superseded;	1	129-01-385-09
15	129-01-385-09	BASE,LOCK, PIVOT REAR,R		1	
16	129-01-316-14	BASE, LOCK, PIVOT REAR	Superseded;	1	129-01-385-14
16	129-01-385-14	BASE,LOCK, PIVOT REAR,L		1	
17	129-05-202-01	BASE,COVER,R	Superseded;	0	129-05-210-01
18	129-01-296-06	BASE,COVER LS	Superseded;	0	129-05-210-01
19	129-01-296-11	BASE,COVER LS	Superseded;	0	129-05-211-01
20	129-05-203-01	BASE,COVER,L	Superseded;	0	129-05-211-01

2.1 | ELECTRICAL PARTS

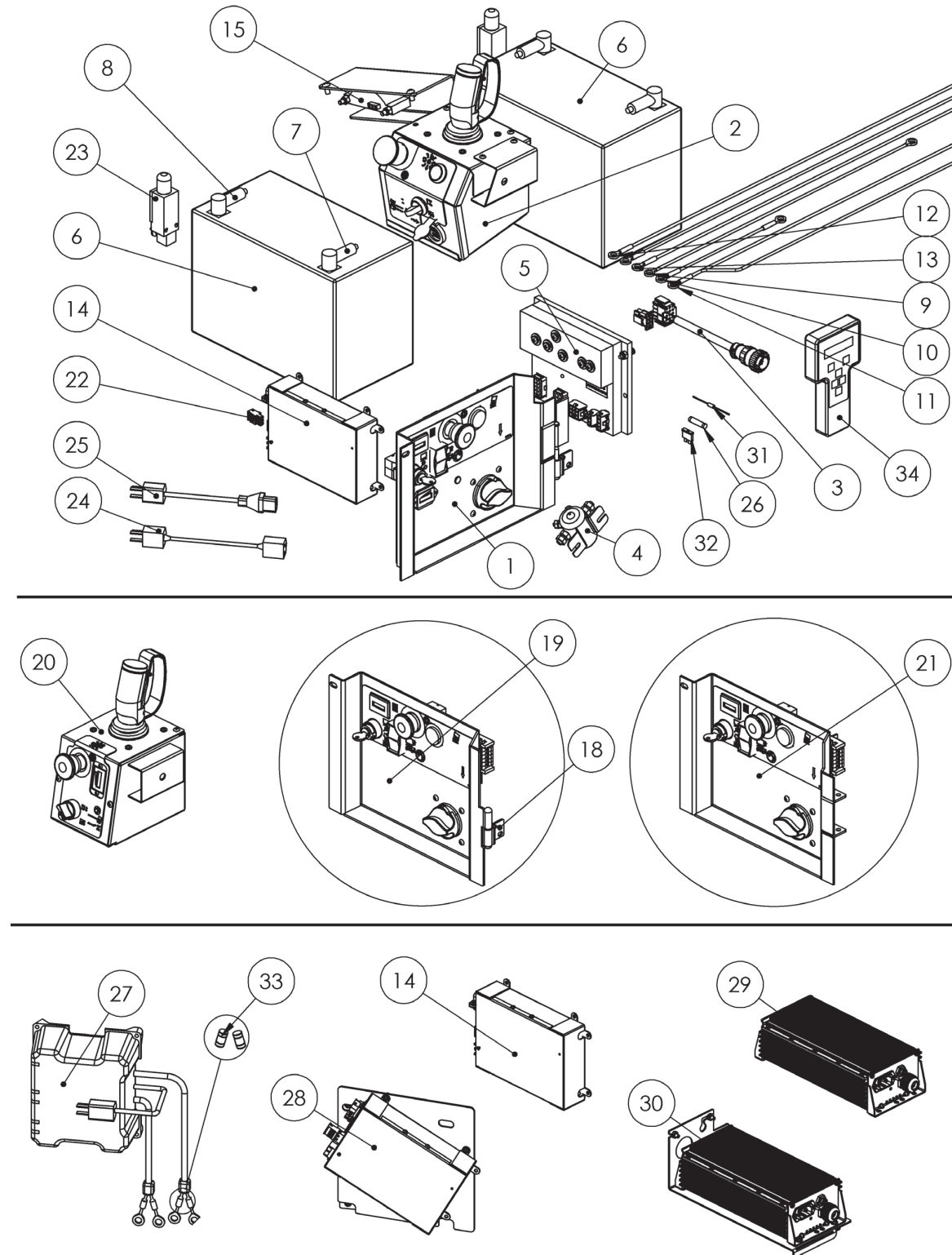


FIGURE 11: Electrical Parts

Item #	Part Number	Part Description	Notes	Qty	Superseded By
3	129-21-007-50	CTL,WIRE HARNESS MAIN HB-1230	D03-20004-D03-20004; Includes 3-pin connector	1	
4	HYDR-666	SOLENOID,24V,ISOLATED,SPST		1	
5	129-21-227-50	BOARD,DRIVE/LIFT CTL HB-MID	D03-20004-D03-20004	1	
5	129-21-267-50-K	BOARD,DRIVE/LIFT CTL HB-MID	D03-29000-D03-29999	1	
6	ELEC-047-5	BATTERY,12V,GR27 AGM		2	
7	ELEC-634D	TERMINAL BOOT (BLACK)		2	
8	ELEC-634C	TERMINAL COVER (RED)		2	
9	ELEC-641E	CABLE,6GA,BLACK,12.00,B/B		1	
10	129-01-090-50	CABLE,6GA,RED,10,R/R,.38 EYES		1	
11	129-01-090-51	CBL,6GA,RED,42&50,R/R,.38 EYES		1	
12	ELEC-641C	CABLE,6GA,RED,50,B/R		1	
13	ELEC-641A	CABLE,6GA,BLACK,63,B/B		2	
14	ELEC-647	SENSOR,ANGLE		1	
15	WD-129-20-201-50	WD,HB-1230 S2	D03-20004-D03-20004; WIRING DIAGRAM	1	
15	WD-129-20-204-50	WD,HB-1230 S2-RETRO	D03-29000-D03-29099; WIRING DIAGRAM	1	
16	WS-129-20-201-50	ELEC SCH,HB-1230 S2	D03-20004-D03-20004; ELECTRICAL SCHEMATIC	1	
16	WS-129-20-301-50	ELEC SCH,HB-1230 S3	D03-29000-D03-29099; ELECTRICAL SCHEMATIC	1	
17	ELEC-123-5	SWITCH,LIMIT,ROT LVR,NO/NC PO		1	
18	ELEC-747	CHARGER,24V	PCS	1	
19	ELEC-670-6	FUSE 30 AMP,PCS		4	
20	ELEC-670-2	FUSE 20 AMP AGC	D03-20004-D03-20004	1	
22	ELEC-809-2	RESISTOR 1K OHM, 1 WATT		1	
23	ELEC-639-3	CORD,NEMA 515/IEC C13,36	36 INCH LENGTH CHARGER CORD	1	
24	129-01-305-01	BASE,COVER HINGE		1	
25	129-21-249-50	ASM,CTL UPR ZTR		1	
27	129-21-206-50	ASM,CTL LWR (HBMD S2)	D03-20004-D03-20004; Mates with board 129-21-227, Panel has hinge	1	
27	129-21-271-50	ASM,CTL LWR (HBMD S2)	D03-29000-D03-29099; Mates with board 129-21-267, Panel has hinge	1	

2.2 | UPPER CONTROL PARTS

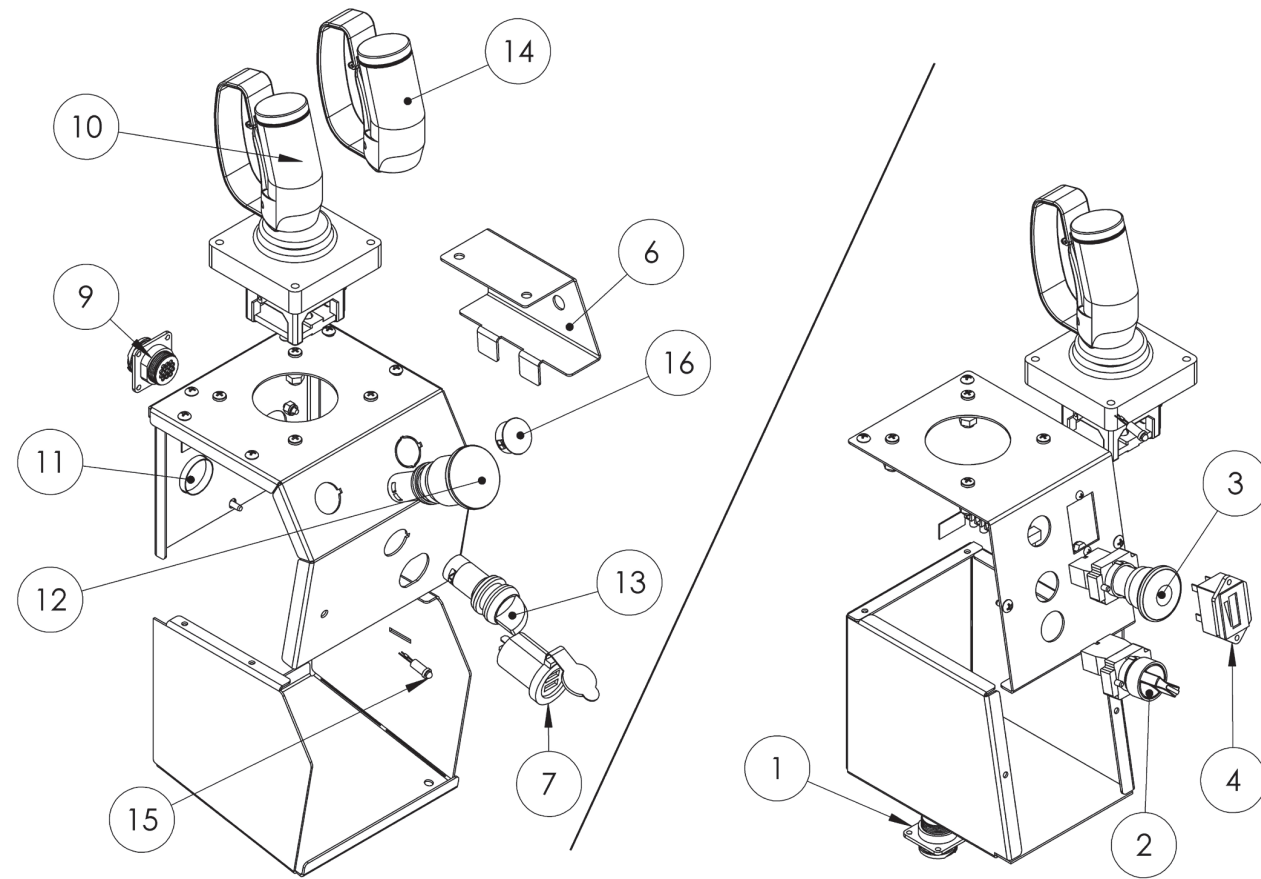


FIGURE 12: Upper Control Parts

Item #	Part Number	Part Description	Notes	Qty	Superseded By
4	ELEC-071-KIT	BUTTON,PUSH/PULL RED E-STOP		1	
5	ELEC-892	POWER PORT,USB 12/24V		1	
6	WD-129-21-249-50	WD,UPR CTL HB-1230 S2.5/3	WIRING DIAGRAM	1	
7	ELEC-002C-KIT	SWITCH,ROTARY MAINTAINED		1	
9	ELEC-606	JOYSTICK,MULTI-AXIS	Superseded;	1	ELEC-609
9	ELEC-609	JOYSTICK,MULTI-AXIS W/GUARD		1	
11	HARD-707	PLUG,1.09 DIA, BLACK	Superseded;	1	HARD-726
11	HARD-726	PLUG,1.09 DIA, BLACK		1	
12	ELEC-636	LED, RED		1	
13	129-03-202-01	RAIL,CTL BOX		1	
14	129-03-201-01	RAIL,CTL UPR PANEL		1	
15	129-21-006-90	CTL,WIRE HARNESS,UPR CTL		1	
16	ELEC-610-4	METER,VOLT,24V		1	
18	ELEC-609-KIT	JOYSTICK,MULTI-AXIS GUARD KIT		1	

2.3 | LOWER CONTROL PARTS

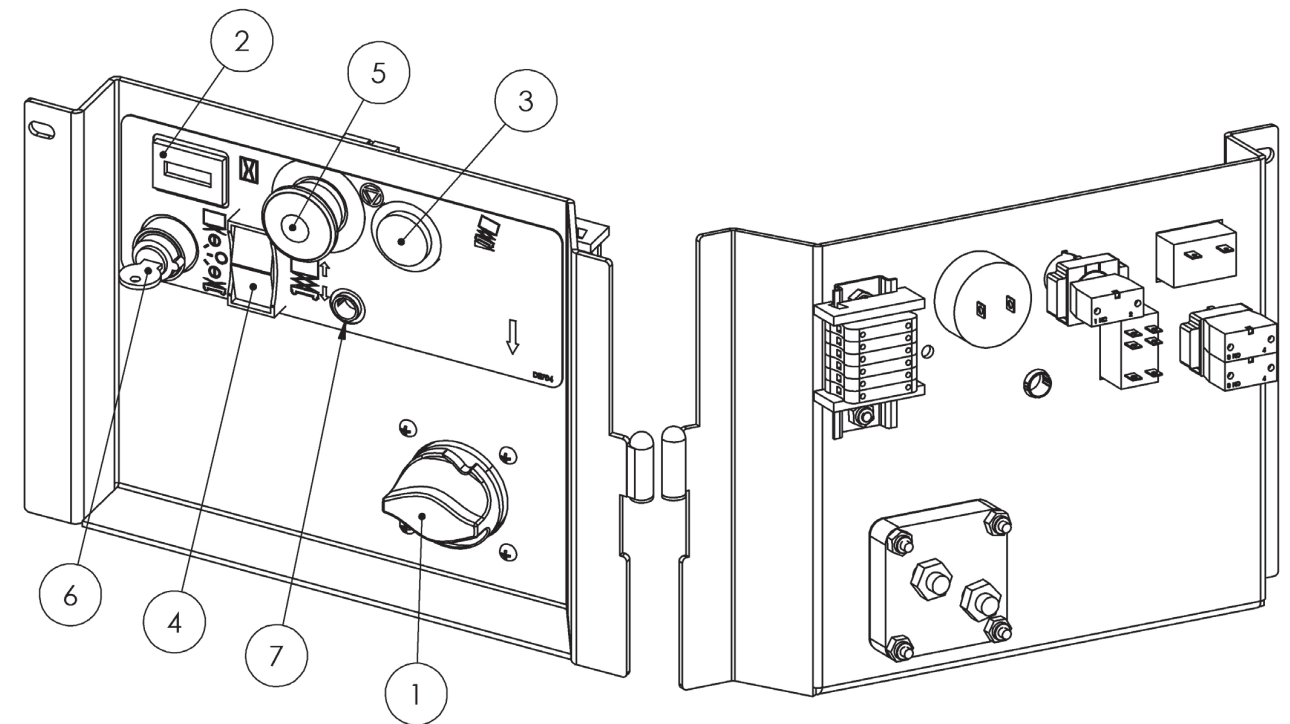


FIGURE 13: Lower Control Parts

Item #	Part Number	Part Description	Notes	Qty	Superseded By
1	ELEC-633-4	SWITCH,MASTER DISCONNECT		1	
2	ELEC-610-2	METER,HOUR		1	
3	ELEC-635-4	ALARM, CONTINUOUS		1	
4	ELEC-133B	SWITCH,ROCKER DPDT		1	
5	ELEC-071-KIT	BUTTON,PUSH/PULL RED E-STOP		1	
6	ELEC-073D-KIT	SWITCH,KEY,3-POS MAINTAINED		1	
7	HARD-692	PLUG,0.50 DIA,TRANSPARENT		1	
8	WD-129-21-206-50	WD,LWR CTL HB-1230 S2	WIRING DIAGRAM	1	

2.4 | MAIN CABLE SUBPARTS

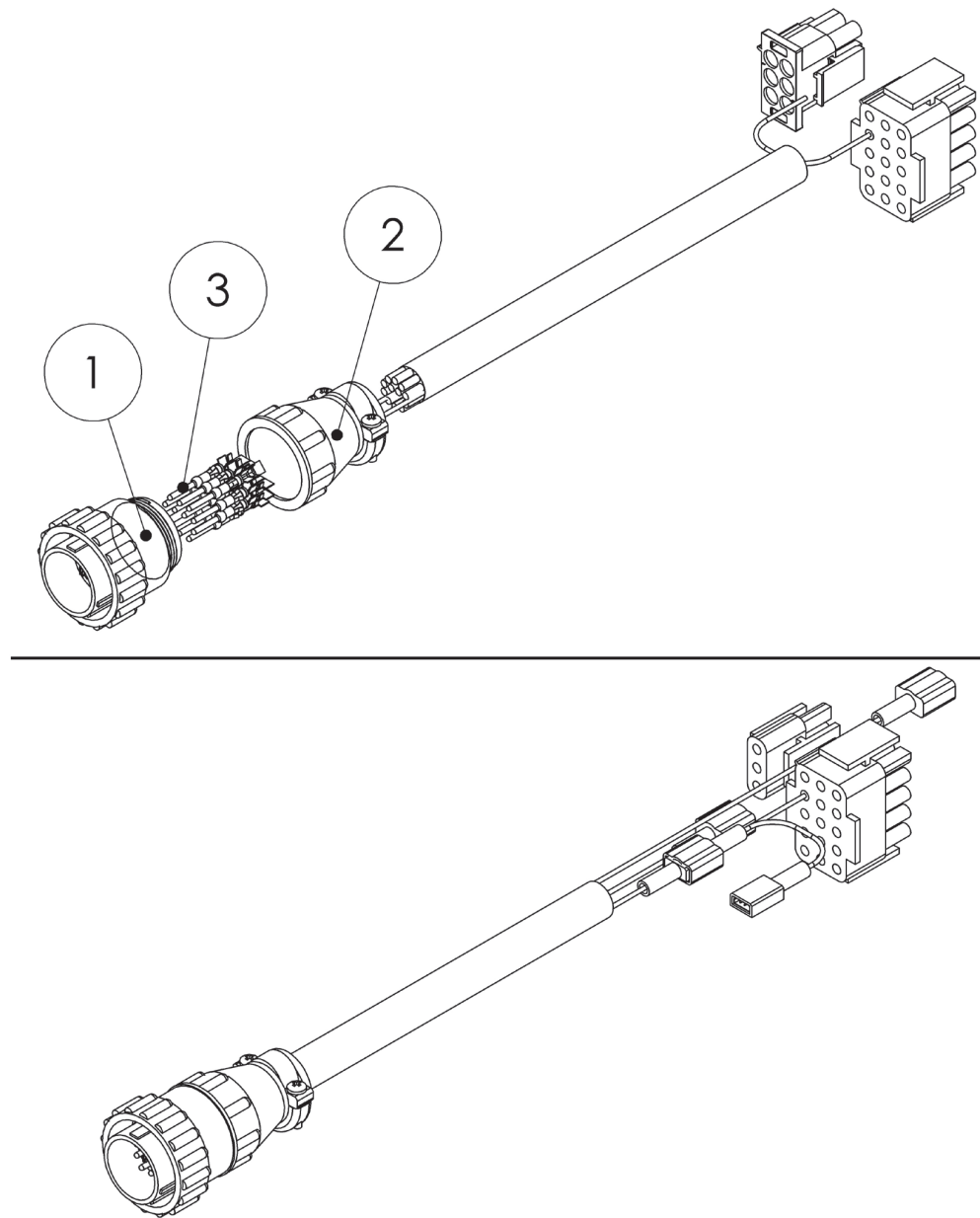


FIGURE 14: Main Cable Subparts

Item #	Part Number	Part Description	Notes	Qty	Superseded By
1	ELEC-749	CONN,CPC,PLUG,14 POS		1	
2	ELEC-750	CABLE CLAMP,CPC,BACK SHELL		1	
3	ELEC-752	CONTACT PIN,CPC,14-18GA TIN		12	

2.5 | SELECTOR SWITCH SUBPARTS

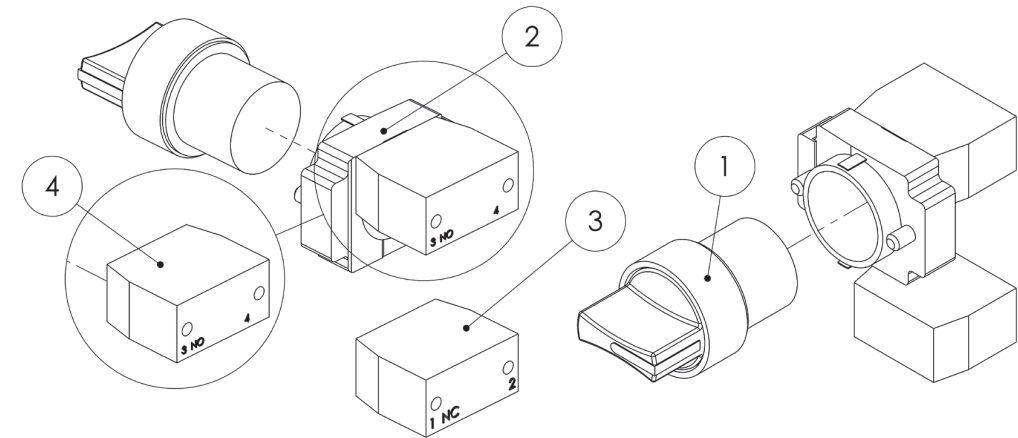


FIGURE 15: Selector Switch Subparts

Item #	Part Number	Part Description	Notes	Qty	Superseded By
1	ELEC-002C	SWITCH,ROTARY,MAINTAINED		1	
2	ELEC-871-KIT	CONTACT BLOCK,NO W/BASE		1	
3	ELEC-072	CONTACT BLOCK,NC		1	
4	ELEC-603	CONTACT BLOCK,NO		1	

2.6 | E-STOP SWITCH SUBPARTS

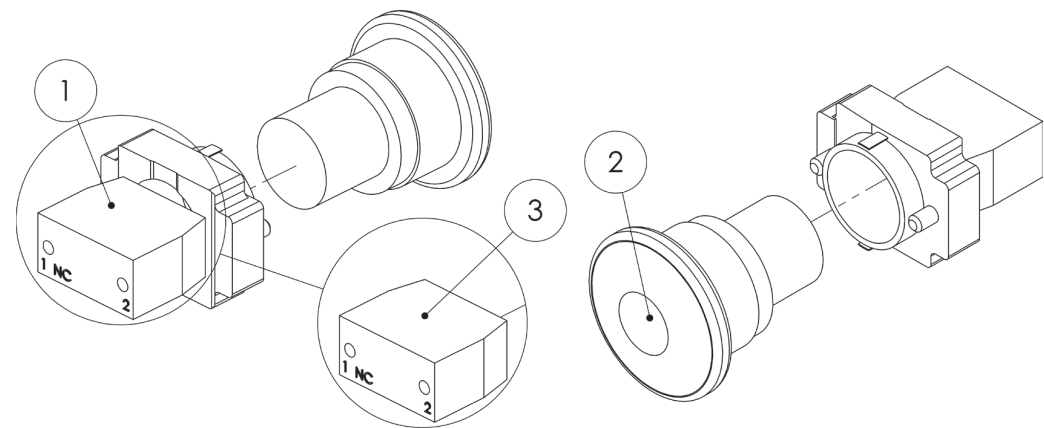


FIGURE 16: E-Stop Switch Subparts

Item #	Part Number	Part Description	Notes	Qty	Superseded By
1	ELEC-872-KIT	CONTACT BLOCK,NC W/BASE		1	
2	ELEC-071	BUTTON,PUSH/PULL RED E-STOP		1	
3	ELEC-072	CONTACT BLOCK,NC		1	

2.7 | MASTER POWER SWITCH SUBPARTS

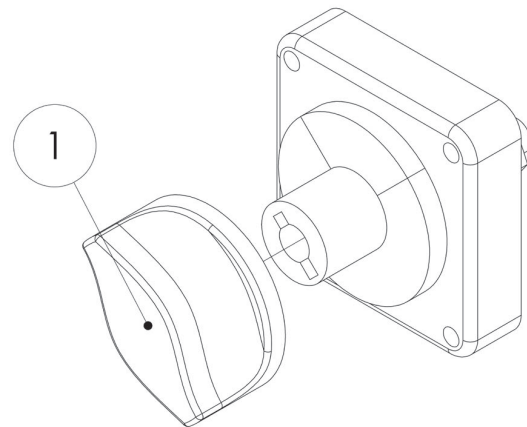


FIGURE 17: Master Power Switch Subparts

Item #	Part Number	Part Description	Notes	Qty	Superseded By
1	ELEC-633-5	SWITCH KNOB,MASTER DISCONNECT		1	

THIS PAGE WAS INTENTIONALLY LEFT BLANK

2.8 | KEY SWITCH SUBPARTS

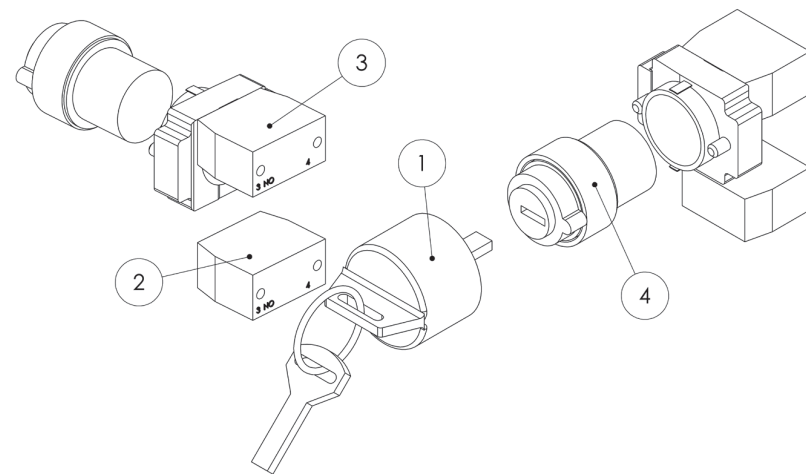


FIGURE 18: Key Switch Subparts

Item #	Part Number	Part Description	Notes	Qty	Superseded By
1	ELEC-073EKEY	KEY,SPARE		1	
2	ELEC-603	CONTACT BLOCK,NO		1	
3	ELEC-871-KIT	CONTACT BLOCK,NO W/BASE		1	
4	ELEC-073D	SWITCH,KEY,3-POS MAINTAINED		1	

3.1 | SCISSORS PARTS

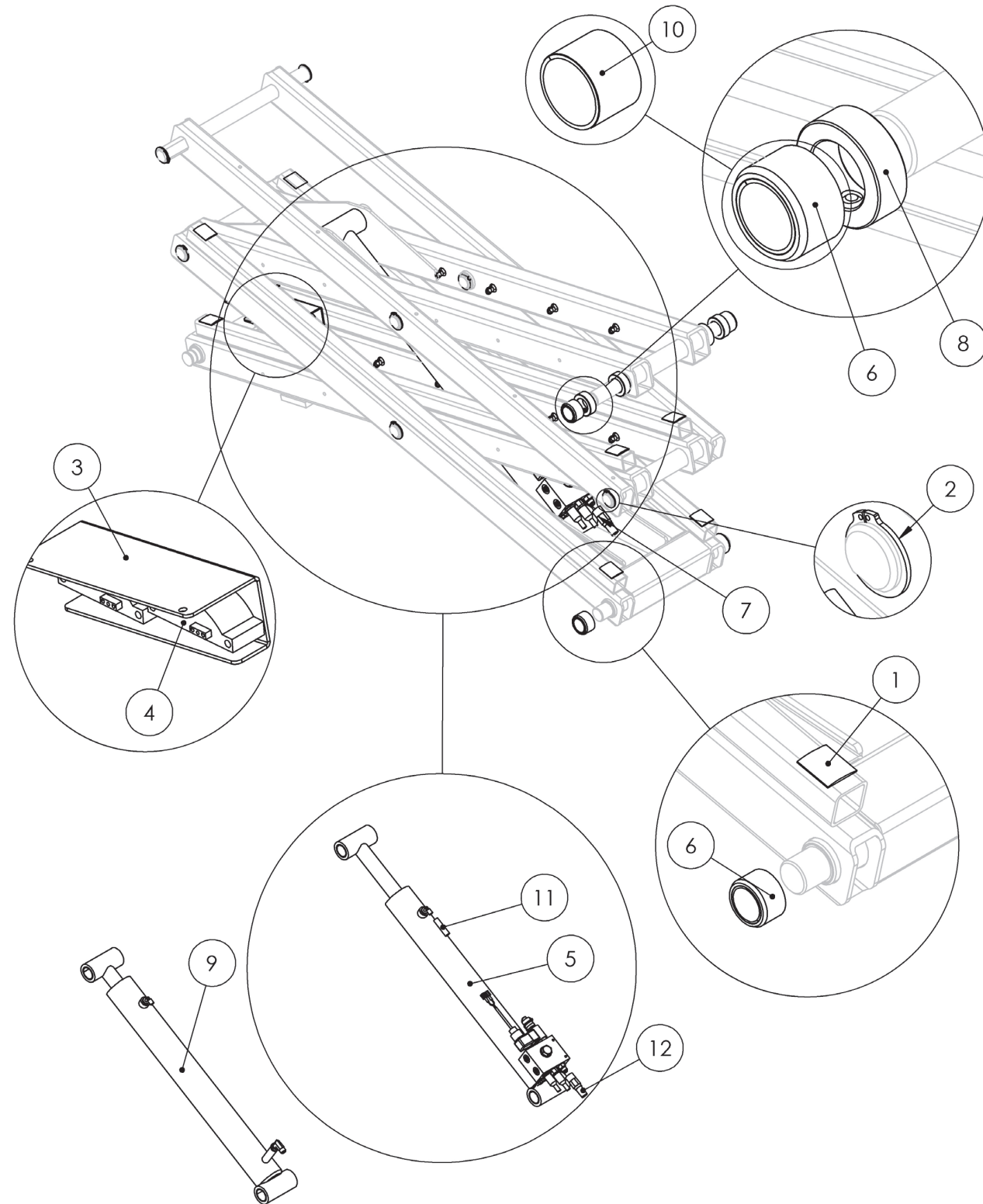
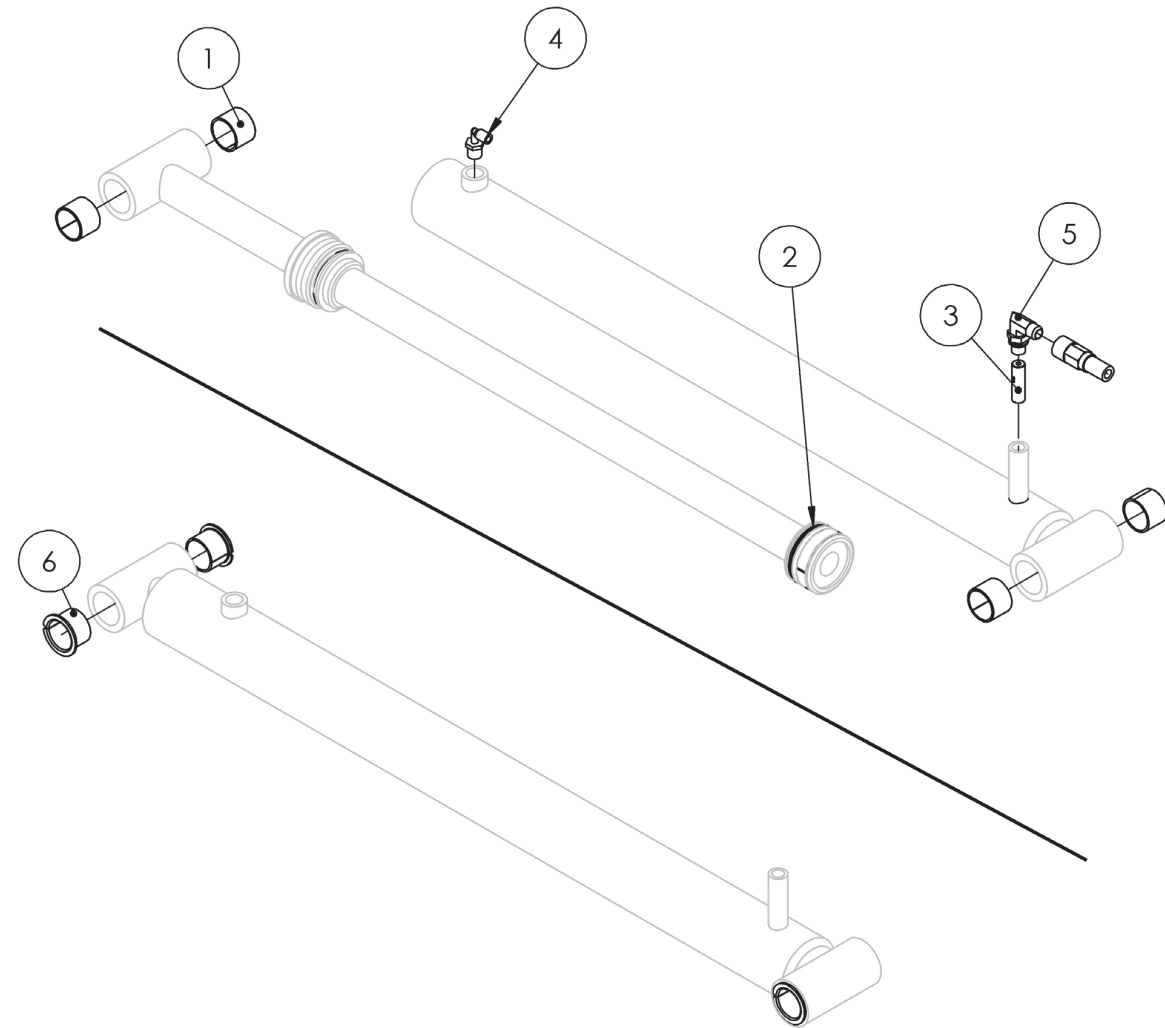


FIGURE 19: Scissors Parts

Item #	Part Number	Part Description	Notes	Qty	Superseded By
1	129-21-009-50-K	ASM,ROLLER,1.25 W/DU		2	
2	HARD-022	1.25 RETAINING RING,EXT		14	
3	129-02-202-01	SCISSOR, ANG SENSOR MNT		1	
4	ELEC-647	SENSOR,ANGLE	Qty 1 for ANSI, 2 for CE	2	
6	BM-6006-1-KIT	ASM,ROLLER,1.00 W/DU		3	
7	BM-1007-EC	BUSHING,SPACER,1.38,0.25		2	
8	1021000102	SET COLLAR,1.25 ID		4	
9	129-21-232-50-K	ASM,SCISSOR CYL HB830 S2	For HB-830	1	
10	HARD-001	1.25X1.00 SLEEVE BEARING,PTFE		1	
11	HYDR-022-3	LOW PRESSURE HOSE	Quantity in inches	102	
12	HYDR-600	HOSE ASM,HB-2X		1	
14	HYDR-600	HOSE ASM,HB-2X		1	

3.2 | CYLINDER SUBPARTS



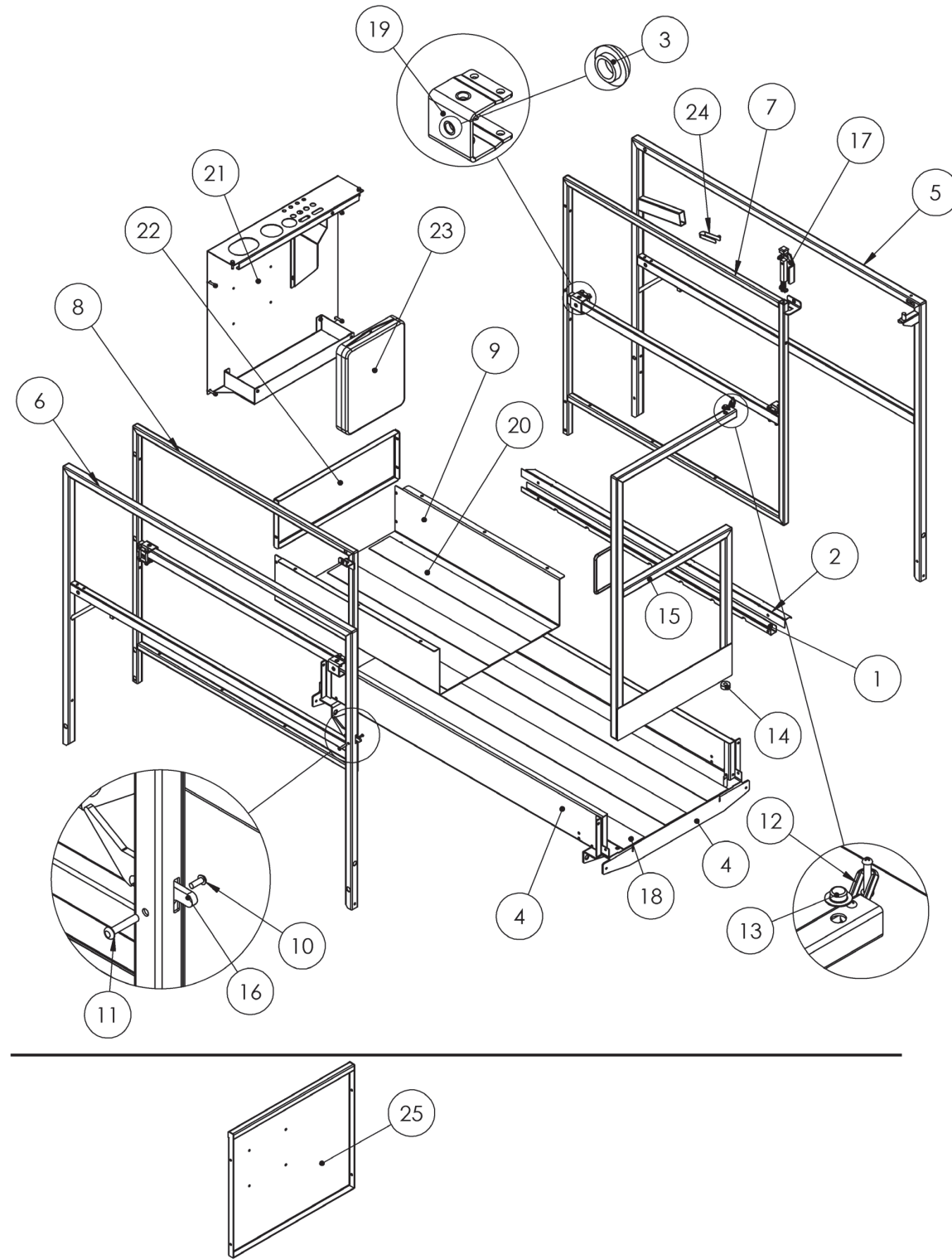
THIS PAGE WAS INTENTIONALLY LEFT BLANK

FIGURE 20: Cylinder Subparts

Item #	Part Number	Part Description	Notes	Qty	Superseded By
1	HARD-001	1.25X1.00 SLEEVE BEARING,PTFE		4	
2	HYDR-012-SK	CYL,SEAL KIT 2.5 B,1.5 R		1	
3	HYDR-033	VELOCITY FUSE-7.0 GPM		1	
4	HYDR-019	FITTING,ELB,NPTM 3/8-1/4 PUSH		1	
5	HYDR-035	FITTING,ELB,JICM9/16-SAEORM#6		1	
6	HARD-003	1.25X1.00 FLNGE BEARING,PTFE		4	

SECTION 4 | PLATFORM & RAILS

SECTION 4 | PLATFORM & RAILS



Item #	Part Number	Part Description	Notes	Qty	Superseded By
1	129-04-205-01	PF, CONDUIT CHANNEL LOWER		1	
2	129-04-206-01	PF, CONDUIT CHANNEL UPPER		1	
3	HARD-626	0.38X0.50X0.19 SLD WASH, NYL W		1	
4	129-04-201-01	PF, WLD MNT		1	
5	129-03-209-01	RAIL, WC R		1	
6	129-03-203-01	RAIL, WC L		1	
7	129-03-212-01	RAIL, SO R		1	
8	129-03-214-01	RAIL, SO L		1	
9	129-03-208-01	RAIL, SO FLOOR BOLT-ON		1	
10	SCREW-1100	10-24 X 0.50 PAN HEAD SCRW		3	
11	HARD-649	0.25 X 1.25 BARREL SCRW, 10-24		3	
12	HARD-606-2	ORING, 0.25 X 5		1	
13	HARD-656-1	QUICK NUT-1/2 ROD		1	
14	143-04-007-04	SPACER, 5ID, 1.25OD, 0.5 THK		1	
15	129-03-222-01	RAIL, GATE		1	
16	1000307601	RAIL, GATE LATCH		1	
17	1002100692-KIT	ASM, RAIL SLIDE LOCK		1	
18	MISC-031-11-KIT	ANTI-SLIP TAPE, 4.00, 54.00 LENG		3	
19	LAS-M078-1-KIT	ASM, RAIL SLIDE CHNL W/WASHERS		4	
20	MISC-031-01-KIT	ANTI-SLIP TAPE, 4.00, 31.00 LENG		3	
21	129-21-321-50-K	ASM, RAIL TOOL TRAY		1	
22	129-03-211-01	RAIL, SO TOE BOARD		1	
23	HARD-603	MANUAL BOX		1	
24	HARD-067	0.38SNAP BUTTON, SINGLE END		1	
25	129-03-206-01	RAIL, SO END WLD MNT	Superseded:	0	129-21-321-50-K

FIGURE 21: Platform & Rails

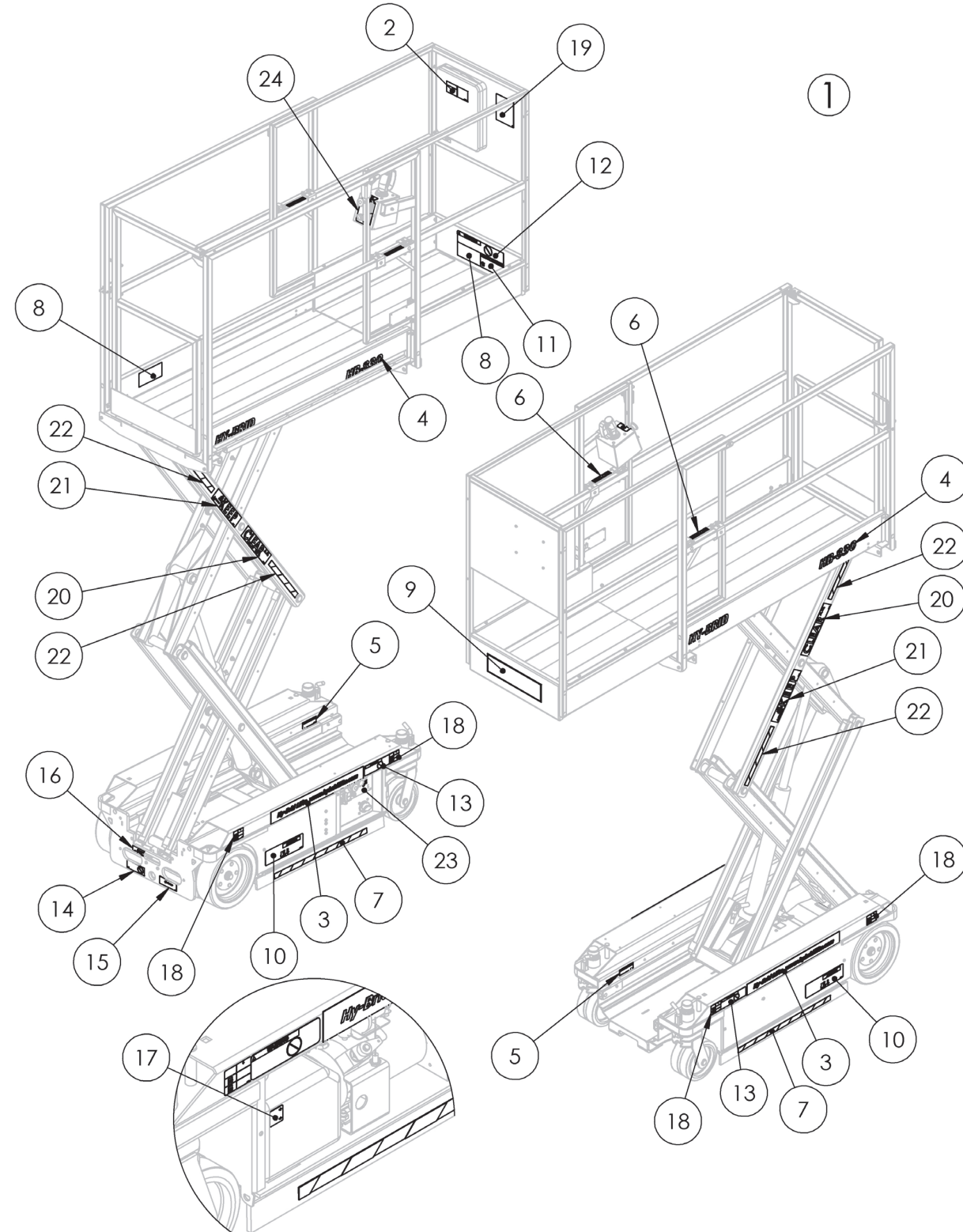


FIGURE 22: Decals

Item #	Part Number	Part Description	Notes	Qty	Superseded By
1	129-21-231-52-K	DECALS,HB-830 S2 ANSI		1	
2	DE600E-10	DECAL,MANUAL BOX		1	
3	DE652	DECAL,WEBSITE	Superseded;	0	DE822
3	DE822	DECAL,WEBSITE		2	
4	DE603-2	DECAL,MODEL #HB-830		2	
5	DE600E-14	DECAL,MAINT LOCK		2	
6	DE746	DECAL,LANYARD ATTACHMENT		2	
7	DE717-61	DECAL,SAFETY STRIPE (24.00)		2	
8	DE712	DECAL,CAPACITY,550#,2P,I,W/SO		2	
9	DE821	DECAL,LOGO HY-BRID		1	
10	DE709	DECAL, LWR		2	
11	DE706	DECAL,UPR HB		1	
12	DE719	DECAL,CASTERLOCK		1	
13	DE721	DECAL,CASTERLOCK		2	
14	DE747	DECAL,BRAKE RELEASE/NO TOW		1	
15	DE751	DECAL,E-DOWN CABLE		1	
16	DE753	DECAL,CHARGER CORD		1	
17	DE679	DECAL,HYDR FLUID		1	
18	DE757	DECAL,WHEEL LOAD HB-830 S2		4	
19	DE755	DECAL,ERROR ALARMS		1	
20	DE708	DECAL,CLEAR		2	
21	DE707	DECAL,KEEP		2	
22	DE717-62	DECAL,SAFETY STRIPE (12.00)		4	
23	DE705	DECAL,CTL LWR CE ZTR-MID		1	
24	DE764	DECAL,CTL UPR ANSI		1	
25	DE601	DECAL,LOGO HY-BRID	Superseded;	1	DE821

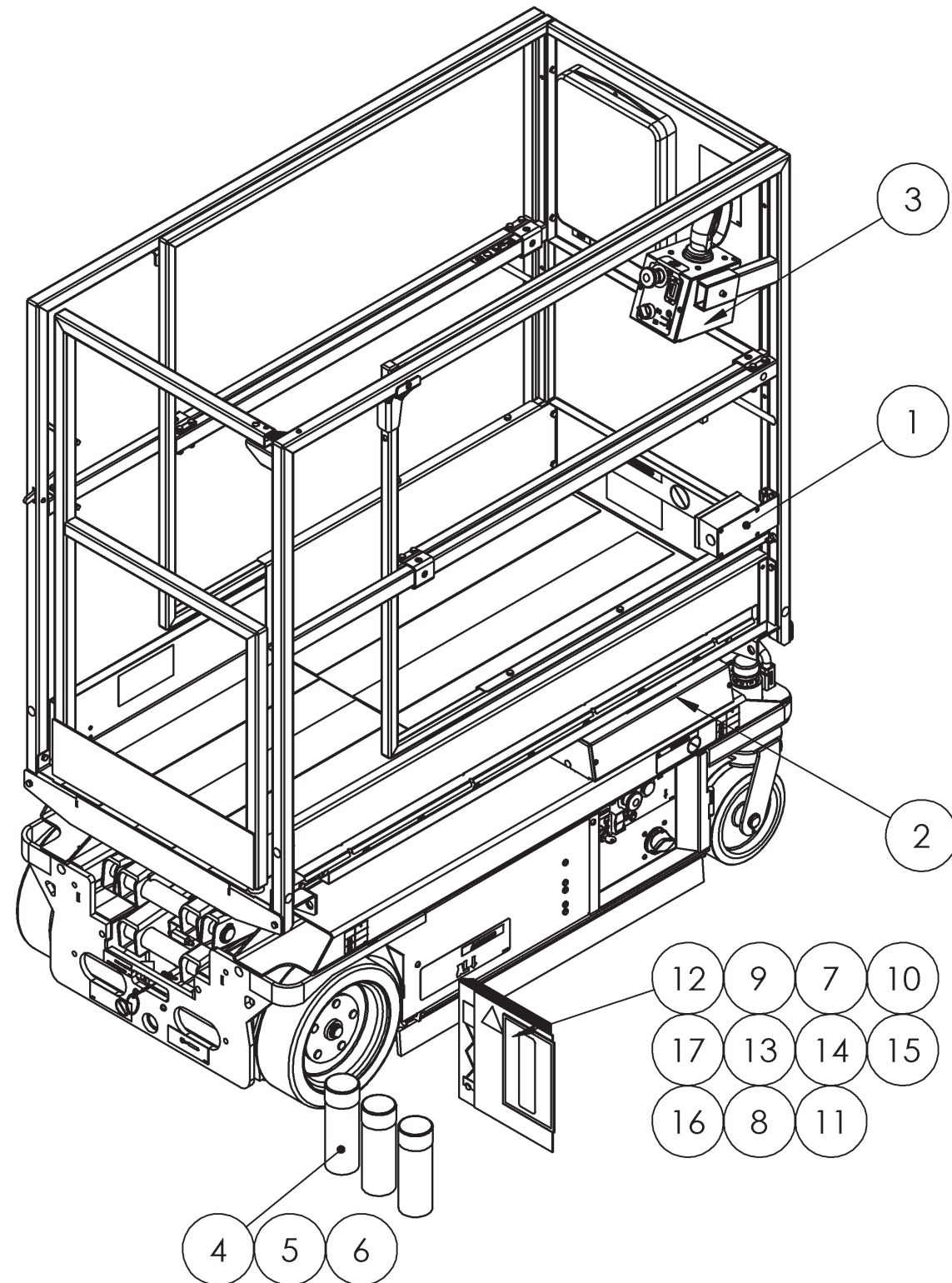


FIGURE 23: Options & Miscellaneous

Item #	Part Number	Part Description	Notes	Qty	Superseded By
1	129-21-219-50-K	ASM,PTP HB1230S2		1	
2	129-21-238-50-K	ASM,INVERTER OPT		1	
3	129-21-236-50-K	ASM,UPR CTL CONNECTOR ALT		1	
4	MISC-624	PAINT,WHITE TOUCH-UP SPRAY		1	
5	MISC-625	PAINT,YELLOW TOUCH-UP SPRAY		1	
6	MISC-627	PAINT,GREEN TOUCH-UP SPRAY		1	
7	SUPO-677	MANUAL,OP HB-830/1230 S3		1	
8	SUPO-677FRC	MANUAL,OP HB-830/1230 S3,FR		1	
9	SUPO-658	MANUAL,MAINT HB-830/1230 S2		1	
10	SUPO-658F	MANUAL,MAINT HB-830/1230 S2,FR		1	
11	MISC-601	MANUAL,RESPONSIBILITIES A92.6		1	
12	MISC-600	MANUAL,AERIAL PF		1	
13	SUPO-674	DOC,HB-1230 UNIQUE FEATURES		1	
14	SUPO-674FRC	DOC,HB-1230 UNIQUE FEATURES,FR		1	
15	SUPO-674SPA	DOC,HB-1230 UNIQUE FEATURES,SP		1	
16	SUPO-686A	MANUAL,PARTS HB-830S2.5/3R		1	
17	SUPO-667	DOCUMENT,CSA DECL HB-1230 S2		1	
18	HS-129-20-201-50	HYDR SCH,HBMD S2/3	HYDRAULIC SCHEMATIC	1	

HY-BRID LIFTS[™]

BY CUSTOM EQUIPMENT LLC

Self-Propelled Aerial Work Platform
Parts Manual
HB-830

© 2018 Custom Equipment, Inc.
2647 Highway 175
Richfield, WI 53076
U.S.A.
Tel.: +1-262-644-1300
Fax: +1-262-644-1320
www.hybridlifts.com
Service@Customequipmentlifts.com

"Hy-Brid Lifts" is a trademark of Custom Equipment, LLC.
These machines comply with specified ANSI & CSA requirements

Revision Date: April 2018

Printed In The USA